



Section 1

WEAR PLATES

File Name: SECT 1 WEAR PLATES 093025 EDIT-11 Revision Date: 9/30/2025

Hill Railroad Car Parts Co.



A DIVISION OF THE HILL TEAM, INC.

SECTION 1

Wear Plates/Roof Liners/Coupler Parts

WEAR PLATES

Page Item Description

1	1	BOLSTER POCKET WEAR PLATES, AR400
1	2	BOLSTER POCKET WEAR PLATES RIDE CONTROL, AR400
1	3	BOLSTER POCKET WEAR PLATES, 304 SS
1	4	BOLSTER POCKET WEAR PLATES RIDE CONTROL, 304 SS
1	5	STEEL RESTORATION BOLSTER POCKET WEAR PLATES, AR400

WEAR PLATES (continued)

Page Item Description

3	6	STEEL RESTORATION BOLSTER POCKET SIDE WEAR PLATES, AR400
3	7	BOLSTER BOWL HORIZONTAL WEAR LINERS, AR500
3	8	BOLSTER HORIZONTAL CENTER PLATE SHIMS, A572
3	9	STUCKI SIDE BEARING CAGE SHIMS A572,

WELD ON ROOF LINERS

Page Item Description

5	10	ROOF LINERS WELD ON, AR400
5	11	ROOF LINERS WELD ON, 304 SS

COUPLER PARTS

Page Item Description

7	12	COUPLER SHANK WEAR PLATES , AR400
7	13	FOATING YOKE WEAR PLATES, AR400
7	14	COUPLER CARRIER WEAR PLATES, AR400

SECTION 1

WEAR PLATES

ITEMS 1 - 5

Page 1

Diagrams on Page 2

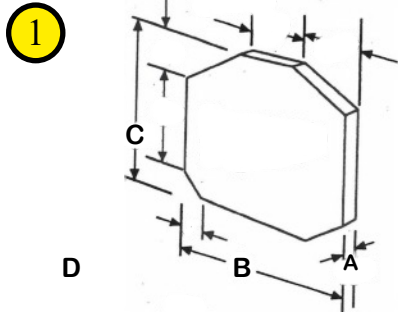
ITEM 1										
Bolster Pocket Wear Plates (AR400)										
REX Part #	Reference #	SCT Part #	ASF Part #	Material	THK	W	L	Hole 1"	Degree	Notes
R-BPWP-14276	1.1.1	276		AR400	1/4	5 1/2	6		34 1/2	
R-BPWP-14275	1.1.2	275		AR400	1/4	5 1/2	5 5/8		34 1/2	
R-BPWP-14271+	1.1.3	271+		AR400	1/4	4 1/4	4 1/4		34 1/2	
R-BPWP-14281+	1.1.4	281+		AR400	1/4	4 3/4	4		52	
R-BPWP-14272+	1.1.5	272+		AR400	1/4	4 3/4	4 1/4		34 1/2	
R-BPWP-14282	1.1.6	282		AR400	1/4	5	5		52	
R-BPWP-14273+	1.1.7	273+		AR400	1/4	5 1/4	4 1/4		34 1/2	
R-BPWP-18373	1.1.8	373		AR400	1/2	5 1/4	4 1/4		34 1/2	
R-BPWP-14274+	1.1.9	274+		AR400	1/4	6 1/4	4 1/4		34 1/2	
R-BPWP-15277	1.1.10	277		AR400	5/16	5 1/2	6		34 1/2	

ITEM 2										
Bolster Pocket Wear Plates Ride Control (AR400)										
REX Part #	Reference #	SCT Part #	ASF Part #	Material	THK	W	L	Hole 1"	Degree	Notes
R-BPWP-14001	1.2.1			AR400	1/4	2 1/4	4 1/4	2	N/A	
R-BPWP-1443215	1.2.2		43215	AR400	1/4	3	4 1/2	2	N/A	

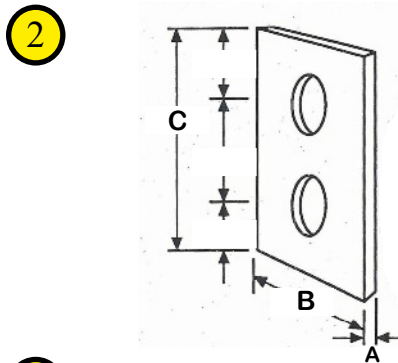
ITEM 3										
Bolster Pocket Wear Plates (304 Stainless Steel)										
REX Part #	Reference #	SCT Part #	ASF Part #	Material	THK	W	L	Hole 1"	Degree	Notes
R-BPWP-22173	1.3.1	173-SX3		304 SS	1/8	5 1/4	4 1/4	1	34 1/2	
R-BPWP-22175	1.3.2	175-SX3		304 SS	1/8	5 1/2	5 5/8	1	34 1/2	
R-BPWP-24275	1.3.3	275-SX3		304 SS	1/4	5 1/2	5 5/8	1	34 1/2	
R-BPWP-24278	1.3.4	278-SX3		304 SS	1/4	5	5 1/16	1	34 1/2	
R-BPWP-24272+	1.3.5	272-SX3+		304 SS	1/4	4 3/4	4 1/4	1	34 1/2	
R-BPWP-24282	1.3.6	282-SX3		304 SS	1/4	5	5	1	52	
R-BPWP-24273+	1.3.7	273-SX3+		304 SS	1/4	5 1/4	4 1/4	1	34 1/2	
R-BPWP-24276	1.3.8	276-SX3		304 SS	1/4	5 1/2	6	1	34 1/2	
R-BPWP-24274	1.3.9	274-SX3		304 SS	1/4	6 1/4	4 1/4	1	34 1/2	
R-BPWP-24279	1.3.10	279-SX3		304 SS	1/4	7 1/2	5 5/8	1	34 1/2	
R-BPWP-25376	1.3.11	376-SX3		304 SS	5/16	5 1/2	6	1	34 1/2	
R-BPWP-26473	1.3.12	473-SX		304 SS	3/8	5 1/4	4 1/4	1	34 1/2	
R-BPWP-26476	1.3.13	476-SX3		304 SS	3/8	5 1/2	6	1	34 1/2	
R-BPWP-2651285-1	1.3.14		51285-1	304 SS	3/8	5	5 3/4		30	

ITEM 4										
Bolster Pocket Wear Plates Ride Control (304 Stainless Steel)										
REX Part #	Reference #	SCT Part #	ASF Part #	Material	THK	W	L	Hole 1"	Degree	Notes
R-BPWP-24001	1.4.1			304 SS	1/4	2 1/4	4 1/4	2	N/A	

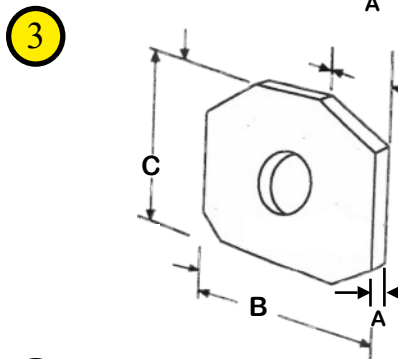
ITEM 5										
Steel Restoration Bolster Pocket Wear Plates For S-2 Bolster Pocket (AR400)										
REX Part #	Reference #	SCT Part #	ASF Part #	Material	THK	W	L	Hole 1"	Degree	Barber Truck
R-BPWPR14271	1.5.1	271		AR400	1/4	4 1/4	4 3/4		34 1/2	S-2-A 40 TON
R-BPWPR14272	1.5.2	272		AR400	1/4	4 3/4	5 1/4		34 1/2	S-2-B & C 40 TON
R-BPWPR14272	1.5.3	272		AR400	1/4	4 3/4	5 1/4		34 1/2	S-2-A,B & C 50 TON
R-BPWPR14273	1.5.4	273		AR400	1/4	5 1/4	5 3/4		34 1/2	S-2-A,B & C 70 TON & 100 TON
R-BPWPR14274	1.5.5	274		AR400	1/4	6 1/4	6 3/4		34 1/2	S-2-A & C 125 TON



Item 1 Parts 1 - 10
Bolster Pocket Wear Plates
AR400
See Size Options in Index
Custom Sizes Available

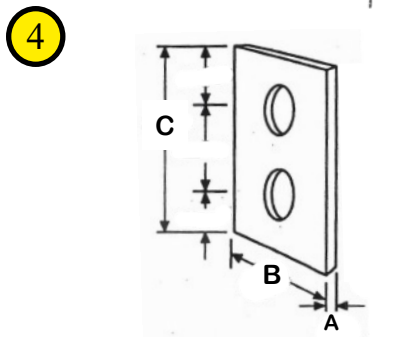


Item 2 Parts 1 - 2
Bolster Pocket Wear Plates
Ride Control (Slope Surface)
AR400
See Size Options in Index

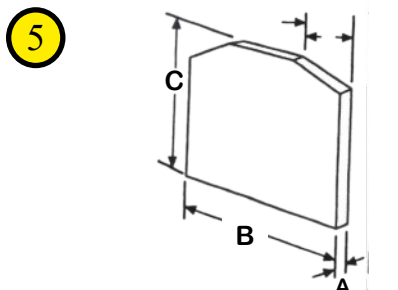


Item 3 Parts 1 - 14
Bolster Pocket Wear Plates
304 Stainless Steel

See Size Options in Index



Item 4 Part 1
Bolster Pocket Wear Plates
Ride Control
304 Stainless Steel
See Size Options in Index



Item 5 Parts 1 - 5
Steel Restoration
Bolster Pocket Wear Plates
For Size S-2 Bolster Pocket
AR400
See Size Options in Index

SECTION 1

WEAR PLATES

ITEMS 6 - 9

Page 3

Diagrams on Page 4

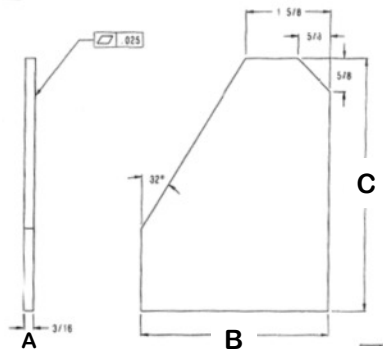
ITEM 6		Steel Restoration Bolster Pocket Side Wall Wear Plate									
Part #	REX Catalog #	Reference #	SCT Part #	ASF Part #	Material	A	B	C	Hole 1"	Degree	Notes
1	R-BPWPR136129	1.6.1	6129		AR400	3/16	4 3/4	3 5/8			S-2-HD & S-2-HD-9C, 6 1/2 X 12
2	R-BPWPR136198	1.6.2	6198		AR400	3/16	4 1/2	3 1/8			S-2-C, 6 X 11

ITEM 7		Bolster Bowl Horizontal Wear Liners									
Part #	REX Catalog #	Reference #	SCT Part #	ASF Part #	Material	A	B	C	Hole 1"	Degree	Notes
1	R-BBHWL7041375	1.7.1			AR500	1/4		13 3/4			
2	R-BBHWL7041575	1.7.2			AR500	1/4		15 3/4			
3	R-BBHWL7021375	1.7.3			AR500	1/8		13 3/4			
4	R-BBHWL7021575	1.7.4			AR500	1/8		15 3/4			

ITEM 8		Bolster Horizontal Center Plate Shims									
Part #	REX Catalog #	Reference #	SCT Part #	ASF Part #	Material	A	B	C	Hole 1"	Degree	Notes
1	R-BHCPS3021350	1.8.1			A572	1/8		13 1/2			
2	R-BHCPS3031350	1.8.2			A572	3/16		13 1/2			
3	R-BHCPS3041350	1.8.3			A572	1/4		13 1/2			
4	R-BHCPS3021150	1.8.4			A572	1/8		11 1/2			
5	R-BHCPS3031150	1.8.5			A572	3/16		11 1/2			
6	R-BHCPS3041150	1.8.6			A572	1/4		11 1/2			

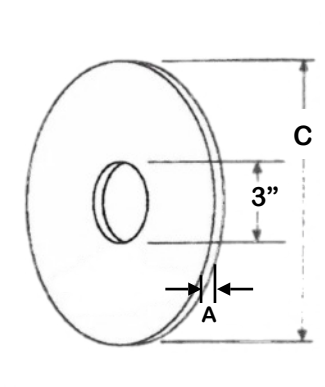
ITEM 9		Stucki Side Bearing Cage Shims									
Part #	REX Catalog #	Reference #	SCT Part #	ASF Part #	Material	A	B	C	Hole 1"	Degree	Notes
1	R-SSBCS3040000	1.9.1			A572	1/4	10 3/8	4			
2	R-SSBCS3060000	1.9.2			A572	3/8	10 3/8	4			

6



Item 6 Parts 1 - 2
Steel Restoration
Bolster Pocket
Side Wall Wear Plate
See Size Options in Index
S-2-HD & S-2-HD-9C, 6 1/2 x 12
S-2-C, 6 x 11

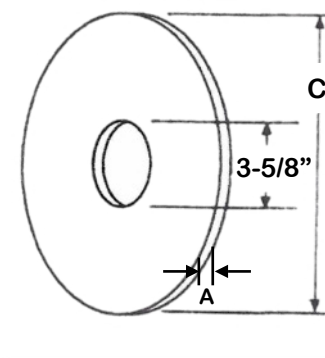
7



Item 7 Parts 1 - 4
Bolster Bowl
Horizontal Wear Liners

See Size Options in Index

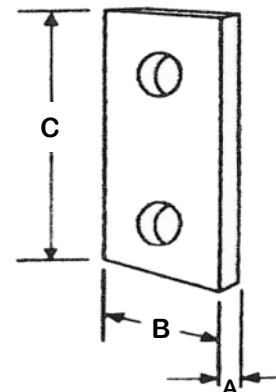
8



Item 8 Parts 1 - 6
Bolster Horizontal Center
Plate Shims

See Size Options in Index

9



Item 9 Parts 1 - 2
Stucki Side Bearing
Cage Shims

See Size Options in Index

SECTION 1

WELD ON ROOF LINERS

ITEMS 10 - 11

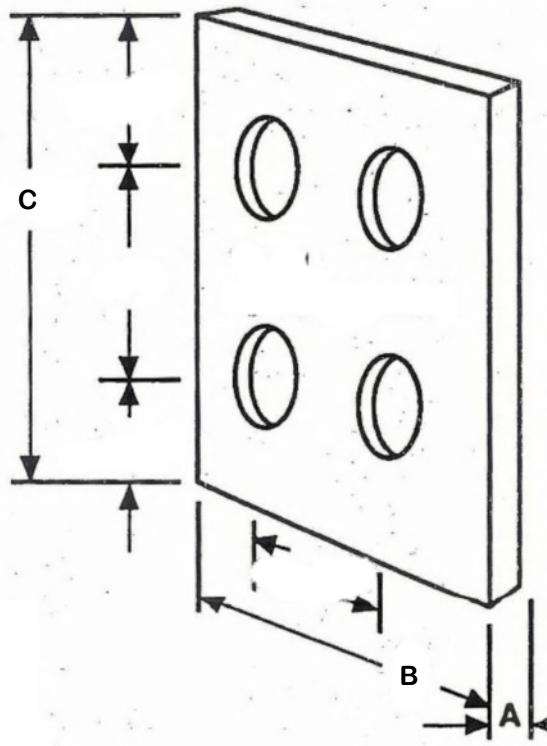
Page 5

Diagrams on Page 6

ITEM 10		Weld on Roof Liners AR400								
Part #	REX Catalog #	Reference #	SCT Part #	Journal Size	Material	A	B	C	Hole 1-1/8"	Notes
1	R-WORL-1255-10	1.10.1	91	5 1/2 X 10	AR400	1/8	5	5 3/4	4	
2	R-WORL-1355-10	1.10.2	92	5 1/2 X 10	AR400	3/16	5	5 3/4	4	
3	R-WORL-1455-10	1.10.3	93	5 1/2 X 10	AR400	1/4	5	5 3/4	4	
4	R-WORL-1260-80	1.10.4		6 X 8	AR400	1/8	5	6 3/4	4	
5	R-WORL-1360-80	1.10.5		6 X 8	AR400	3/16	5	6 3/4	4	
6	R-WORL-1460-80	1.10.6		6 X 8	AR400	1/4	5	6 3/4	4	
7	R-WORL-1260-11	1.10.7	61	6 X 11	AR400	1/8	5	6 3/4	4	
8	R-WORL-1360-11	1.10.8	62	6 X 11	AR400	3/16	5	6 3/4	4	
9	R-WORL-1460-11	1.10.9	63	6 X 11	AR400	1/4	5	6 3/4	4	
10	R-WORL-1265-90	1.10.10		6 1/2 X 9	AR400	1/8	5	7 1/4	4	
11	R-WORL-1365-90	1.10.11		6 1/2 X 9	AR400	3/16	5	7 1/4	4	
12	R-WORL-1465-90	1.10.12		6 1/2 X 9	AR400	1/4	5	7 1/4	4	
13	R-WORL-1265-12	1.10.13	71	6 1/2 X 12	AR400	1/8	5	7 1/4	4	
14	R-WORL-1365-12	1.10.14	72	6 1/2 X 12	AR400	3/16	5	7 1/4	4	
15	R-WORL-1465-12	1.10.15	73	6 1/2 X 12	AR400	1/4	5	7 1/4	4	
16	R-WORL-1270-90	1.10.16		7 X 9	AR400	1/8	5	8 1/4	4	
17	R-WORL-1370-90	1.10.17		7 X 9	AR400	3/16	5	8 1/4	4	
18	R-WORL-1470-90	1.10.18		7 X 9	AR400	1/4	5	8 1/4	4	
19	R-WORL-1270-12	1.10.19	81	7 X 12	AR400	1/8	5	8 1/4	4	
20	R-WORL-1370-12	1.10.20	82	7 X 12	AR400	3/16	5	8 1/4	4	
21	R-WORL-1470-12	1.10.21	83	7 X 12	AR400	1/4	5	8 1/4	4	

ITEM 11		Weld on Roof Liners, 304 Stainless Steel								
Part #	REX Part #	Reference #	SCT Part #	Journal Size	Material	A	B	C	Hole 1-1/8"	Notes
1	R-WORL-2255-10	1.11.1		5 1/2 X 10	304 SS	1/8	5	5 3/4	4	
2	R-WORL-2355-10	1.11.2		5 1/2 X 10	304 SS	3/16	5	5 3/4	4	
3	R-WORL-2455-10	1.11.3		5 1/2 X 10	304 SS	1/4	5	5 3/4	4	
4	R-WORL-2260-80	1.11.4		6 X 8	304 SS	1/8	5	6 3/4	4	
5	R-WORL-2360-80	1.11.5		6 X 8	304 SS	3/16	5	6 3/4	4	
6	R-WORL-2460-80	1.11.6		6 X 8	304 SS	1/4	5	6 3/4	4	
7	R-WORL-2260-11	1.11.7		6 X 11	304 SS	1/8	5	6 3/4	4	
8	R-WORL-2360-11	1.11.8		6 X 11	304 SS	3/16	5	6 3/4	4	
9	R-WORL-2460-11	1.11.9	63-ST	6 X 11	304 SS	1/4	5	6 3/4	4	
10	R-WORL-2265-90	1.11.10		6 1/2 X 9	304 SS	1/8	5	7 1/4	4	
11	R-WORL-2365-90	1.11.11		6 1/2 X 9	304 SS	3/16	5	7 1/4	4	
12	R-WORL-2465-90	1.11.12		6 1/2 X 9	304 SS	1/4	5	7 1/4	4	
13	R-WORL-2265-12	1.11.13		6 1/2 X 12	304 SS	1/8	5	7 1/4	4	
14	R-WORL-2365-12	1.11.14		6 1/2 X 12	304 SS	3/16	5	7 1/4	4	
15	R-WORL-2465-12	1.11.15		6 1/2 X 12	304 SS	1/4	5	7 1/4	4	
16	R-WORL-2270-90	1.11.16		7 X 9	304 SS	1/8	5	8 1/4	4	
17	R-WORL-2370-90	1.11.17		7 X 9	304 SS	3/16	5	8 1/4	4	
18	R-WORL-2470-90	1.11.18		7 X 9	304 SS	1/4	5	8 1/4	4	
19	R-WORL-2270-12	1.11.19		7 X 12	304 SS	1/8	5	8 1/4	4	
20	R-WORL-2370-12	1.11.20		7 X 12	304 SS	3/16	5	8 1/4	4	
21	R-WORL-2470-12	1.11.21	73-ST	7 X 12	304 SS	1/4	5	8 1/4	4	

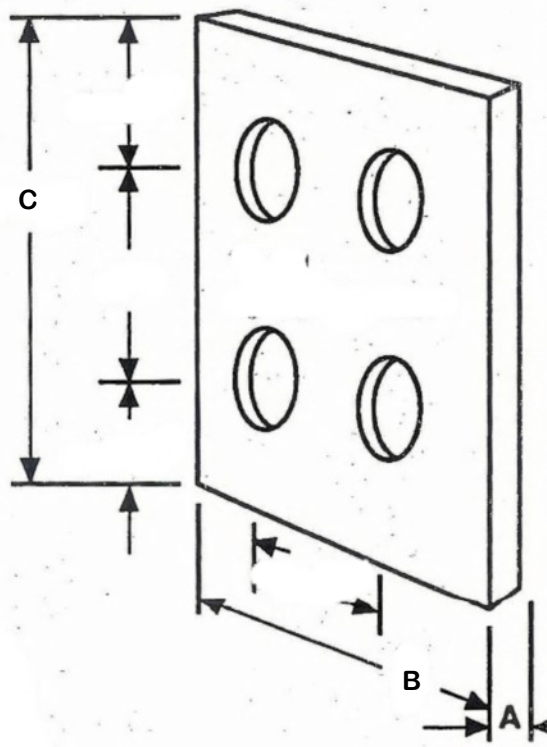
10



Item 10 Parts 1 - 21
Weld On Roof Liner
AR400

See Size Options in Index

11



Item 11 Parts 1 - 21
Weld On Roof Liner
304 Stainless Steel

See Size Options in Index

SECTION 1

COUPLER SHANK PARTS

ITEMS 12 - 14

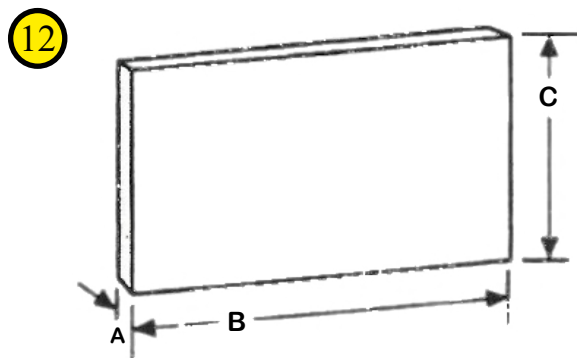
Page 7

Diagrams on Page 8

ITEM 12		Coupler Shank Wear Plates							
Part #	REX Catalog #	Reference #	SCT Part #	Cat #	Material	A	B	C	Notes
1	R-CSWP-12WP200	1.12.1		WP2	AR400	1/4	8	5	
2	R-CSWP-12WP300	1.12.2		WP3	AR400	1/4	17 1/2	6	
3	R-CSWP-12WP600	1.12.3		WP6	AR400	1/4	22 1/2	6	
4	R-CSWP-12WP800	1.12.4		WP8	AR400	1/4	11	4 3/4	
5	R-CSWP-12WP900	1.12.5		WP9	AR400	1/4	10	6	
6	R-CSWP-12WP100	1.12.6		WP10	AR400	3/16	15 3/4	8	
7	R-CSWP-12WP110	1.12.7		WP11	AR400	3/16	12 5/8	1.562	

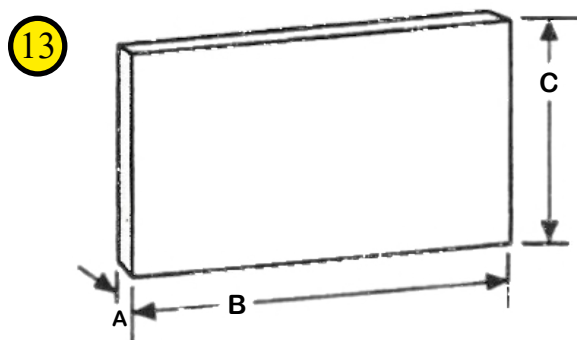
ITEM 13		Floating Yoke Wear Plates AR400							
Part #	REX Catalog #	Reference #	SCT Part #	Cat #	Material	A	B	C	Notes
1	R-CSWP-12WP120	1.13.1		FYWP12	AR400	3/16	1.562	1.562	
2	R-CSWP-12WP130	1.13.2		FYWP13	AR400	3/16	21	9	
3	R-CSWP-12WP140	1.13.3		FYWP14	AR400	3/16	15	1.562	
4	R-CSWP-12WP150	1.13.4		FYWP15	AR400	3/16	3 1/2	2 3/4	
5	R-CSWP-12WP170	1.13.5		FYWP17	AR400	3/16	20	7 3/4	
6	R-CSWP-12WP180	1.13.6		FYWP18	AR400	3/16	15	1.562	

ITEM 14		Coupler Carrier Wear Plates AR400							
Part #	REX Catalog #	Reference #	SCT Part #	Cat #	Material	A	B	C	Notes
1	R-CSWP-12XW116	1.14.1		XW116	AR400	1/4	8	4	
2	R-CSWP-12XW195	1.14.2		XW195	AR400	1/4	19 1/2	6	
3	R-CSWP-12XW213	1.14.3		XW213	AR400	1/4	6 3/4	4	
4	R-CSWP-12XW137	1.14.4		XW137	AR400	1/4	7	7	



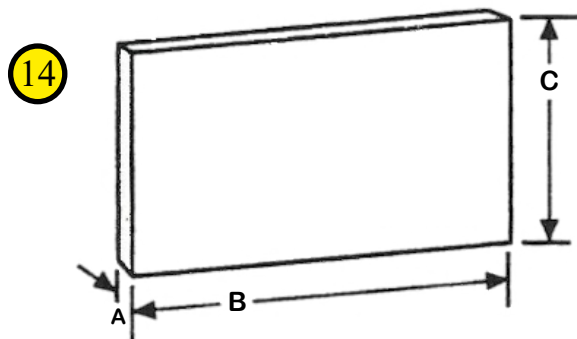
Item 12 Parts 1 -
Coupler Shank Wear Plates
AR400

See Size Options in Index



Parts 1 -
Floating Yoke Wear Plates
AR400

See Size Options in Index



Item 14 Parts 1 -
Coupler Carrier Wear Plates
AR400

See Size Options in Index

